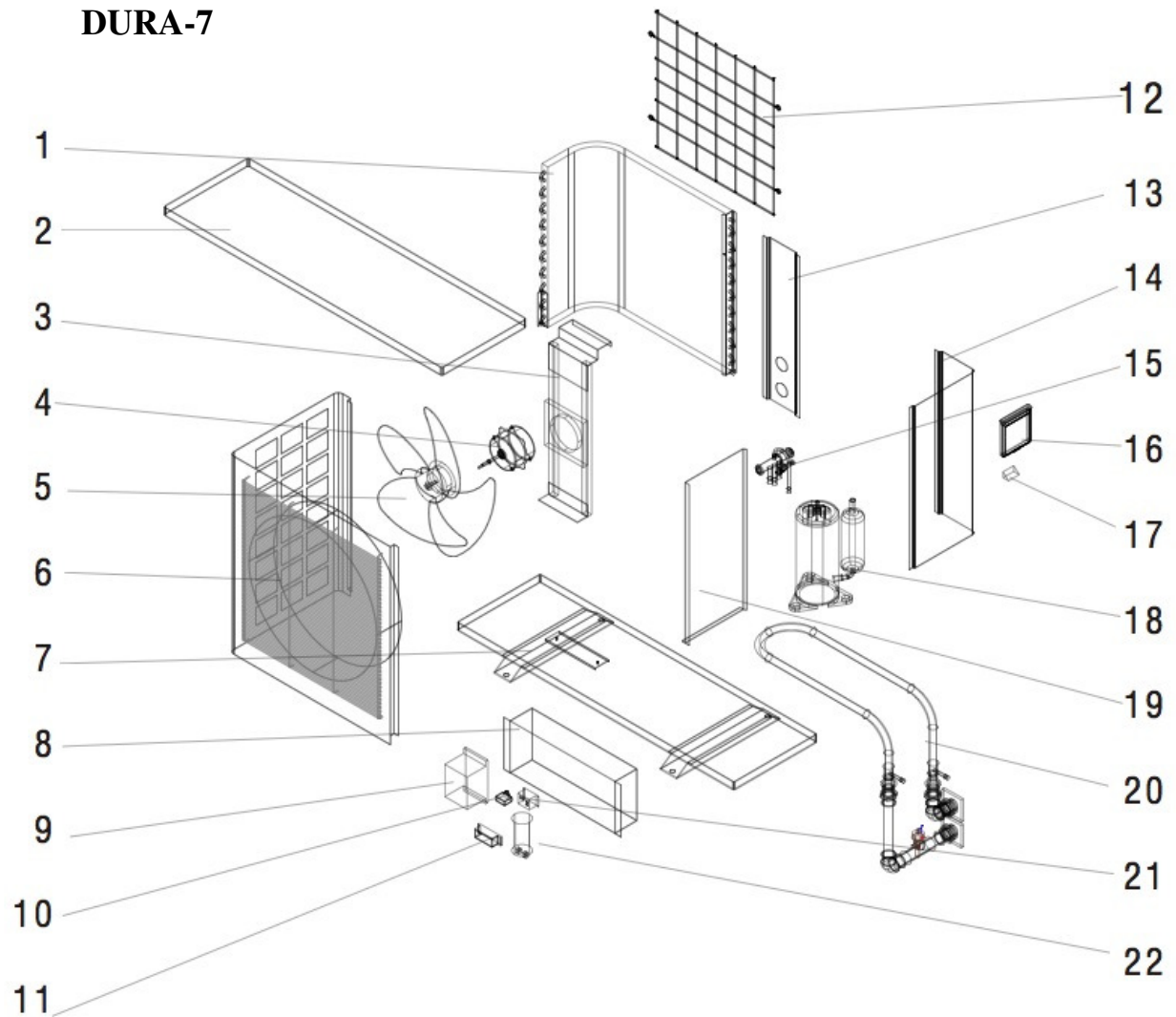


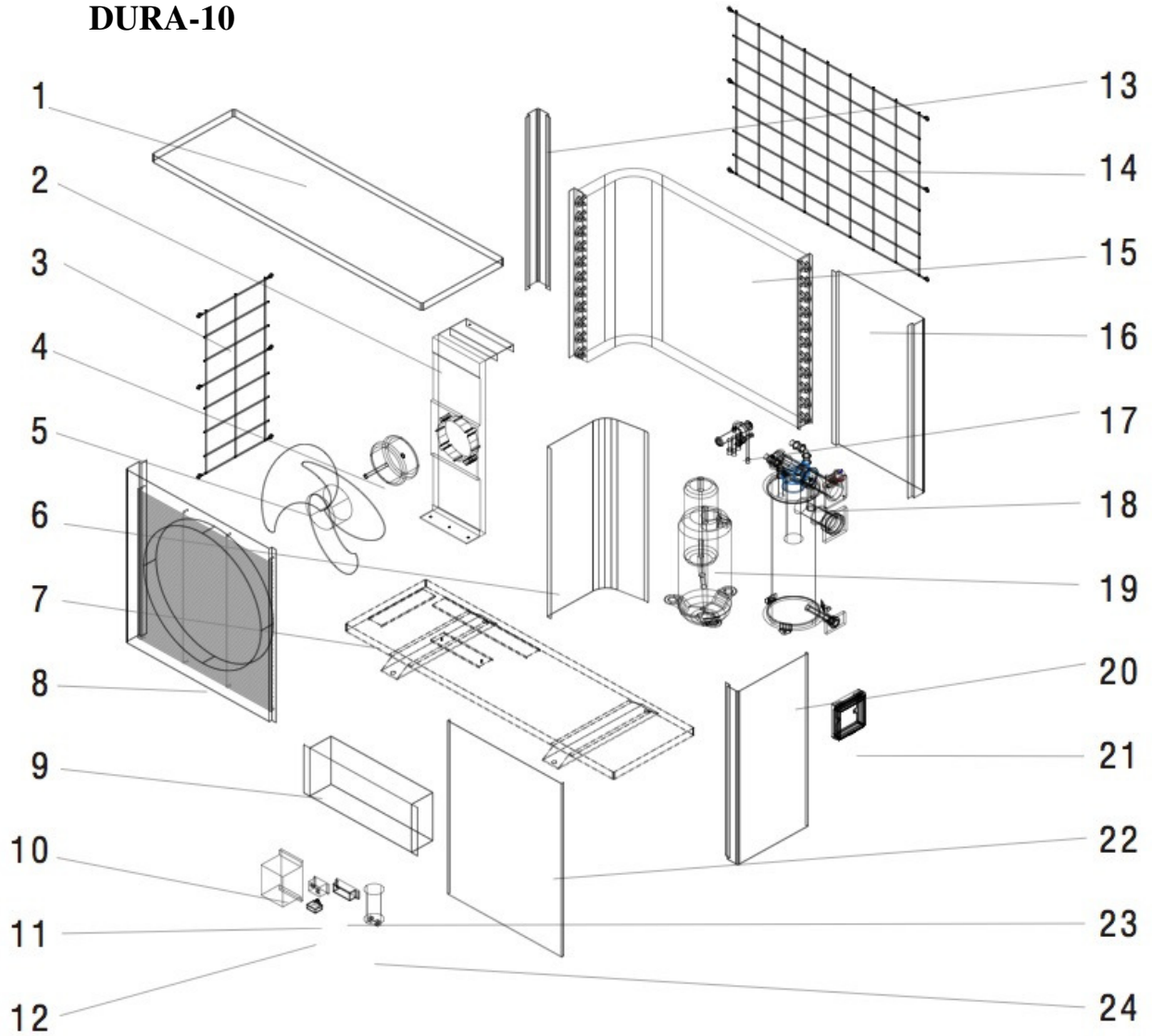
8.3 Exploded views



Item	Code	Description	Rem.	Item	Code	Description	Rem.
1	DURA0601	Evaporator	*	12	DURA0012	Grid	
2	DURA0004	Top panel		13	DURA0013	Back panel	
3	DURA0005	Fan fixation		14	DURA0014	Corner panel	
4	DURA0006	Fan motor	*	15			
5	DURA0007	Fan	*	16	DURA0002	LED display	*
6	DURA0008	Left panel		17	DURA0015	Handle	
7	DURA0009	Base panel		18	DURA0618	Compressor	*
8	DURA0010	Control box		19	DURA0016	Right panel	
9	DURA0001	Digital controller	*	20	DURA0620	Heat exchanger	*
10	DURA0011	Fan capacitor	*	21	DURA0003	Relays	*
11	DURA0611	Mains connector		22	DURA0017	Compressor capacitor	*

Remark: items marked “*” are available as spare part.

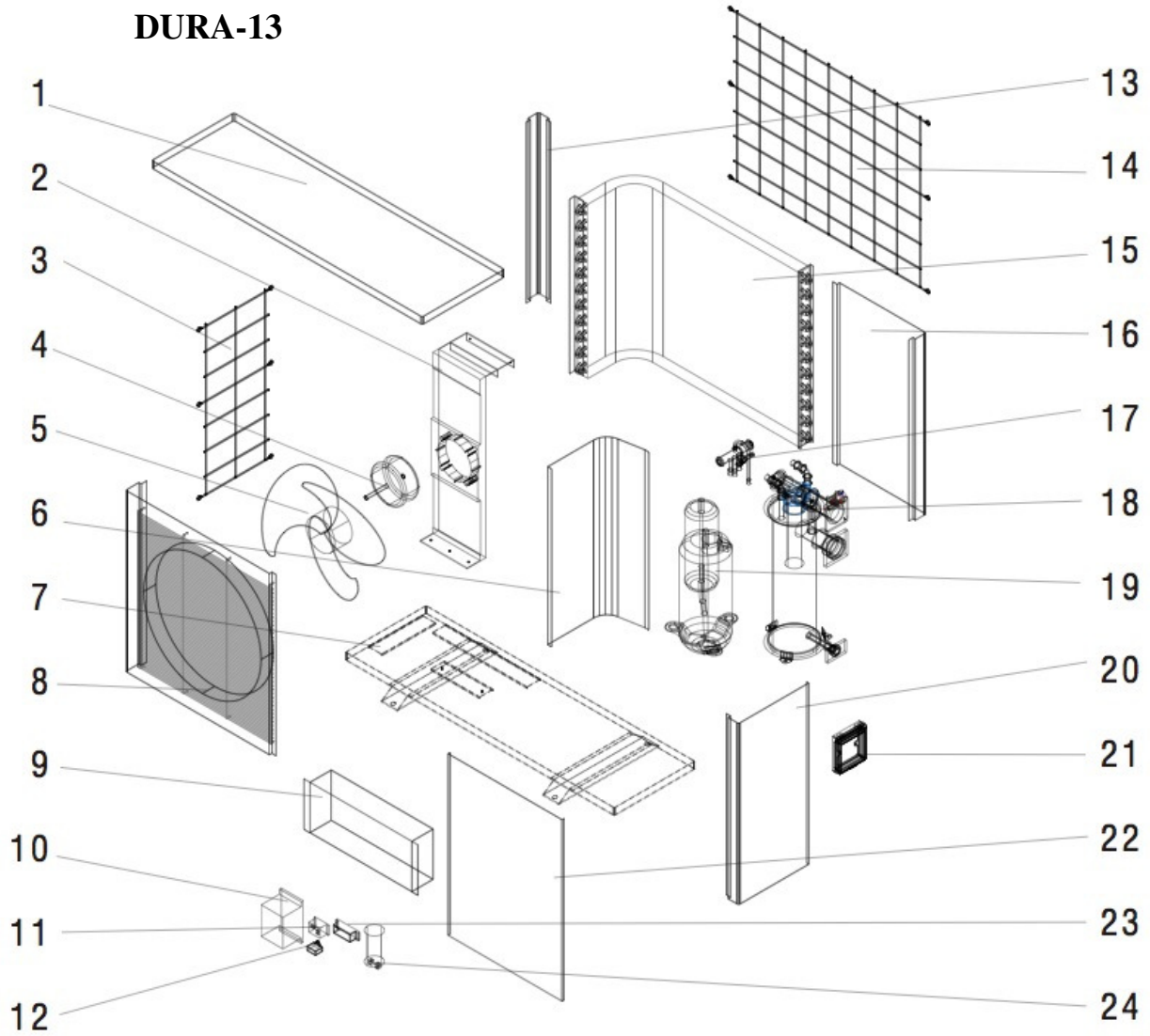
DURA-10



Item	Code	Description	Rem.	Item	Code	Description	Rem.
1	DURA0018	Top panel		13	DURA0029	Corner panel	
2	DURA0019	Fan fixation		14	DURA0030	Back grid	
3	DURA0020	Side grid		15	DURA0815	Evaporator	*
4	DURA0021	Fan motor	*	16	DURA0031	Back panel	
5	DURA0022	Fan	*	17			
6	DURA0023	Divider panel		18	DURA0818	Heat exchanger	*
7	DURA0025	Base panel		19	DURA0819	Compressor	*
8	DURA0026	Fan panel		20	DURA0032	Right panel	
9	DURA0027	Control box		21	DURA0002	LED display	*
10	DURA0001	Digital controller	*	22	DURA0033	Front panel	
11	DURA0003	Relays	*	23	DURA0823	Mains connector	
12	DURA0028	Fan capacitor	*	24	DURA0824	Compressor capacitor	*

Remark: items marked “*” are available as spare part.

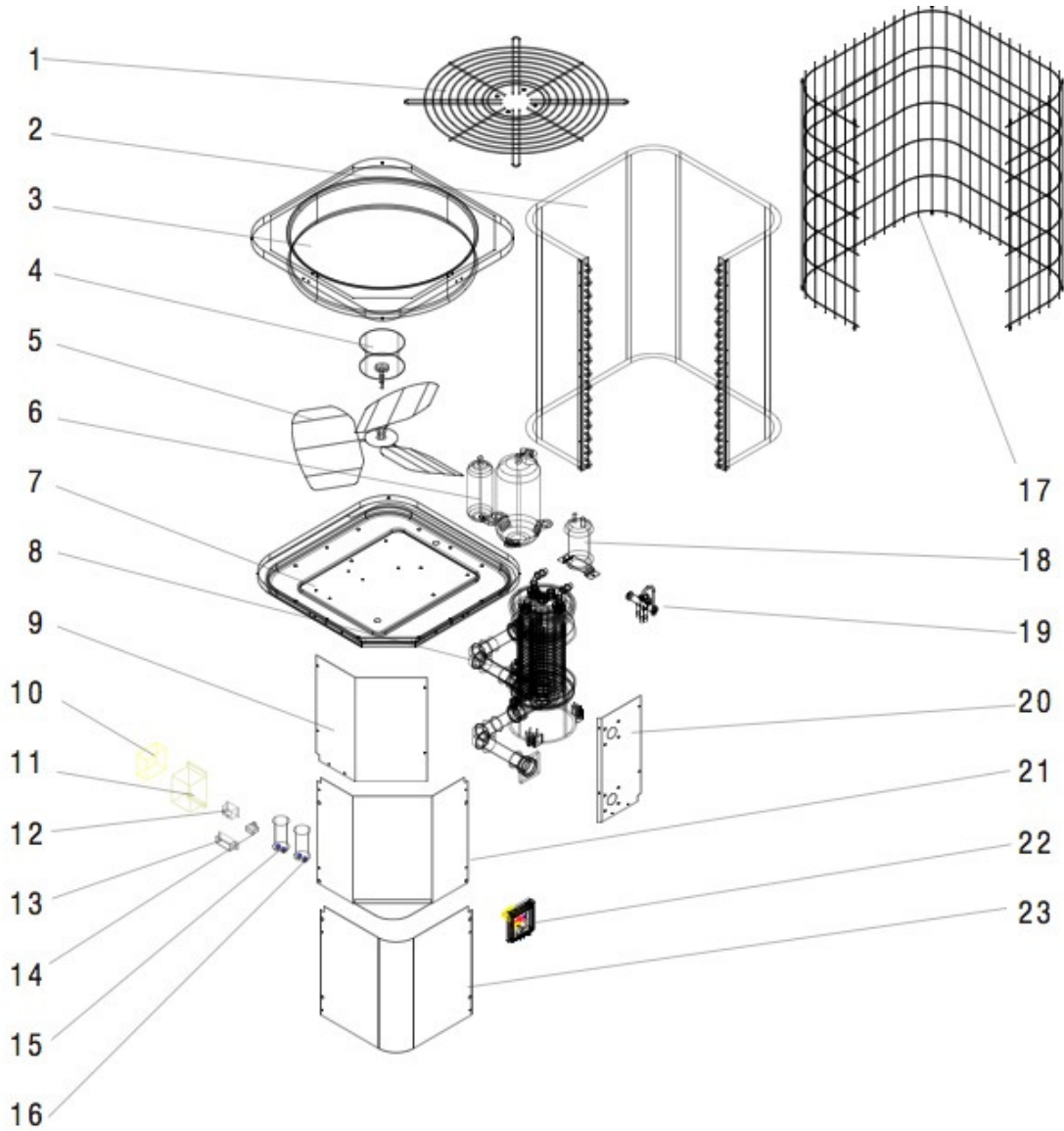
DURA-13



Item	Code	Description	Rem.	Item	Code	Description	Rem.
1	DURA0018	Top panel		13	DURA0029	Corner panel	
2	DURA0019	Fan fixation		14	DURA0030	Back grid	
3	DURA0020	Side grid		15	DURA1215	Evaporator	*
4	DURA0021	Fan motor	*	16	DURA0031	Back panel	
5	DURA0022	Fan	*	17			
6	DURA0023	Divider panel		18	DURA1218	Heat exchanger	*
7	DURA0025	Base panel		19	DURA1219	Compressor	*
8	DURA0026	Fan panel		20	DURA0032	Right panel	
9	DURA0027	Control box		21	DURA0002	LED display	*
10	DURA0001	Digital controller	*	22	DURA0033	Front panel	
11	DURA0003	Relays	*	23	DURA1223	Mains connector	
12	DURA0028	Fan capacitor	*	24	DURA1224	Compressor capacitor	*

Remark: items marked “*” are available as spare part.

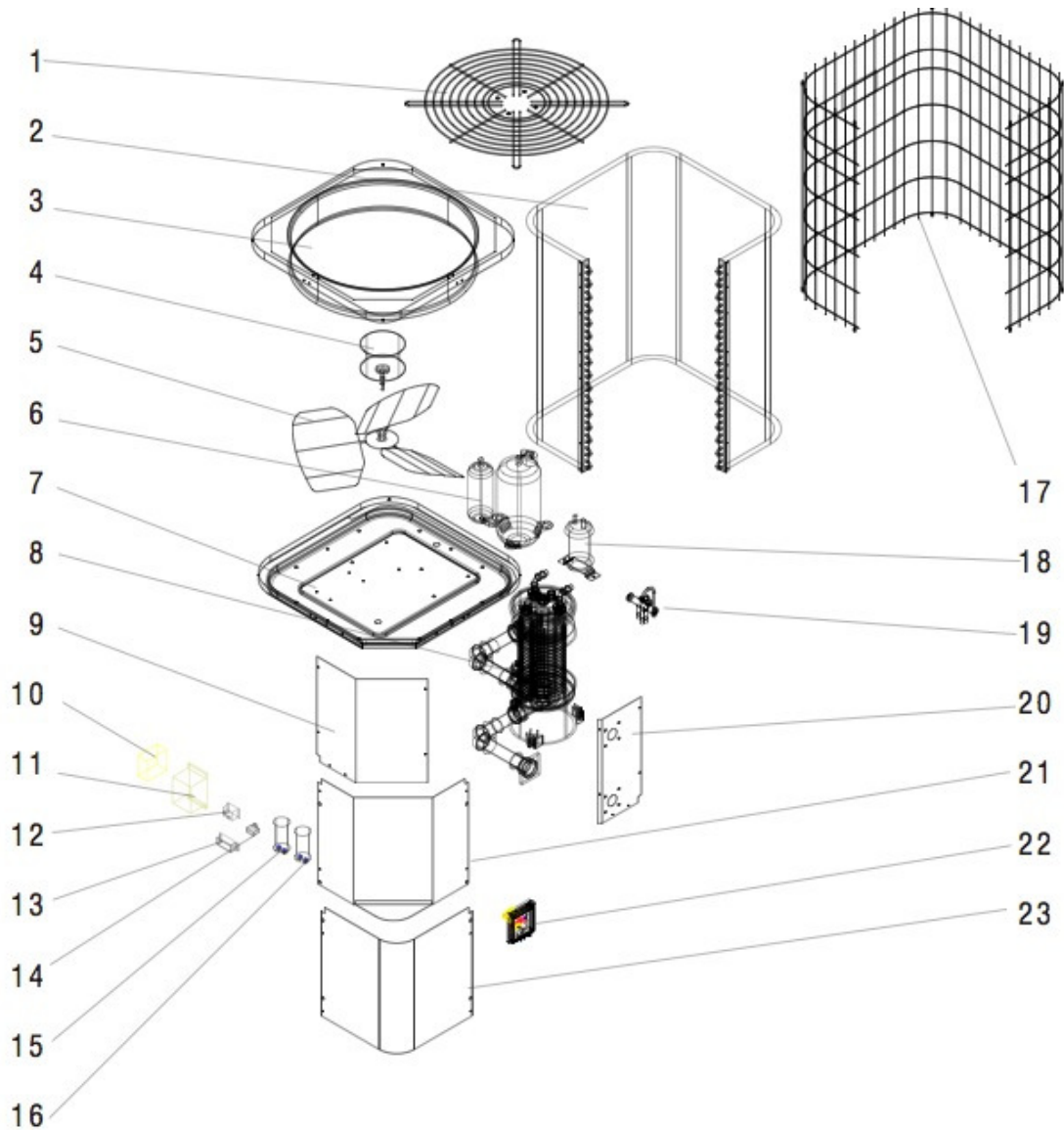
DURA-18



Item	Code	Description	Rem.	Item	Code	Description	Rem.
1	DURA1701	Top panel		15	DURA1715	Compressor	*
2	DURA1702	Fan fixation		16			
3	DURA1703	Fan motor	*	17	DURA1717	Divider panel	
4	DURA1704	Fan	*	18	DURA1718	Evaporator	*
5	DURA1705	Left corner panel		19	DURA1719	Back grid	
6	DURA1706	Left grid		20	DURA1720	Control box	
7	DURA1707	Fan panel		21	DURA0036	Compressor capacitor	*
8	DURA1708	Fan grid		22	DURA0001	Digital controller	*
9	DURA1709	Front panel		23	DURA0037	A/C relays	*
10	DURA1710	Base panel		24	DURA1724	Pump connector	
11	DURA1711	Fluid accumulator		25	DURA0003	Relays	*
12	DURA1712	Heat exchanger	*	26	DURA0028	Fan capacitor	*
13	DURA1713	Right corner panel		27	DURA1727	Mains connector	
14	DURA0034	Flow switch	*	28	DURA0002	LED display	*

Remark: items marked “*” are available as spare part.

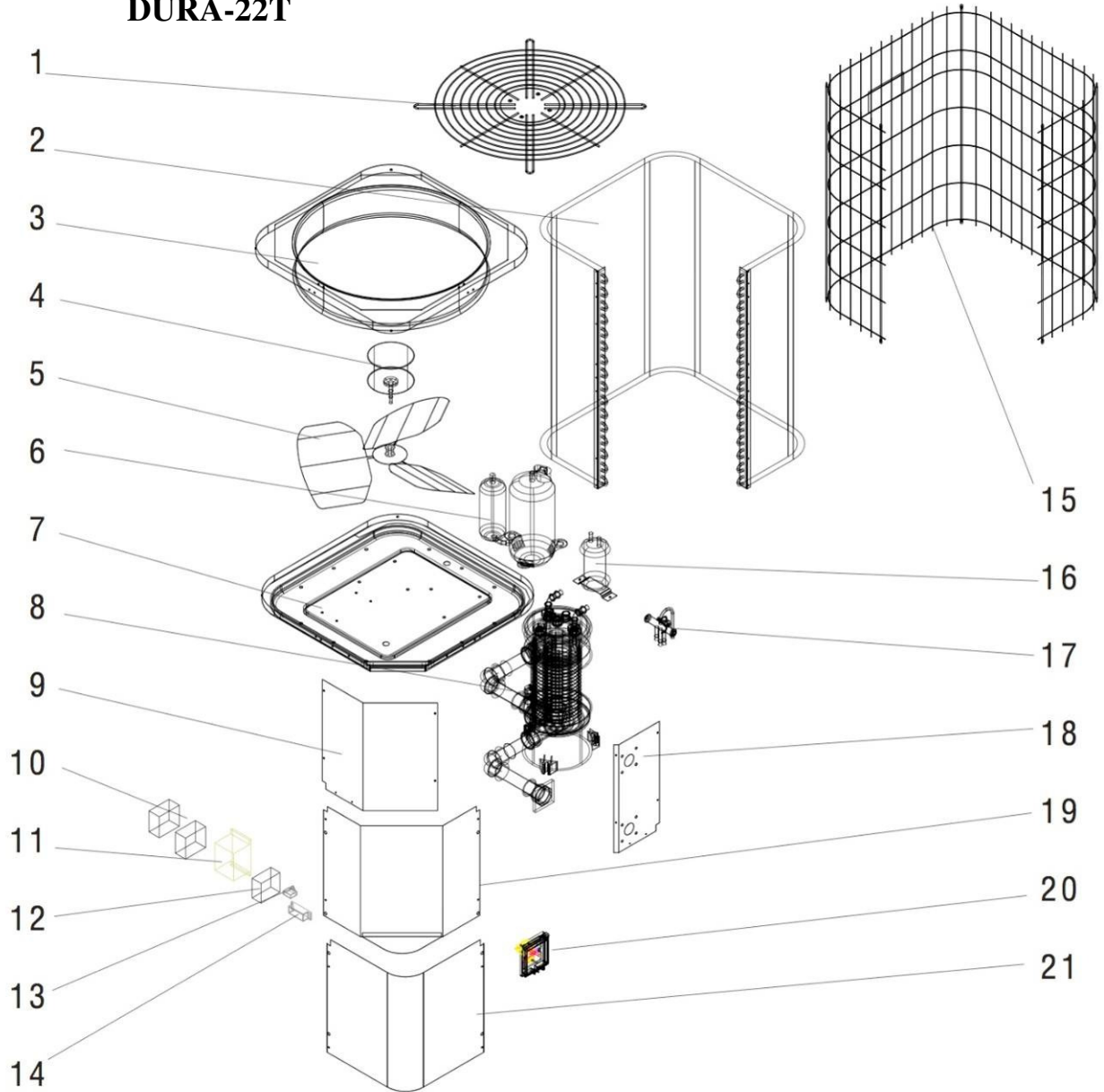
DURA-22



Item	Code	Description	Rem.	Item	Code	Description	Rem.
1	DURA0038	Fan grid		13	DURA2113	Mains connector	
2	DURA0052	Evaporator	*	14	DURA0045	Fan capacitor	*
3	DURA0039	Top plate		15	DURA2115	Compressor capacitor 1	*
4	DURA0040	Fan motor	*	16	DURA0036	Compressor capacitor 2	*
5	DURA0041	Fan	*	17	DURA0046	Grid	
6	DURA2106	Compressor	*	18	DURA2118	Fluid accumulator	
7	DURA0042	Base panel		19			*
8	DURA0043	Heat exchanger	*	20	DURA0047	Front panel 2	
9	DURA0044	Front panel 1		21	DURA0048	Divider panel	
10	DURA0037	A/C relays	*	22	DURA0002	LED display	*
11	DURA0001	Digital controller	*	23	DURA0049	Cover panel	
12	DURA0003	Relays	*				

Remark: items marked “*” are available as spare part.

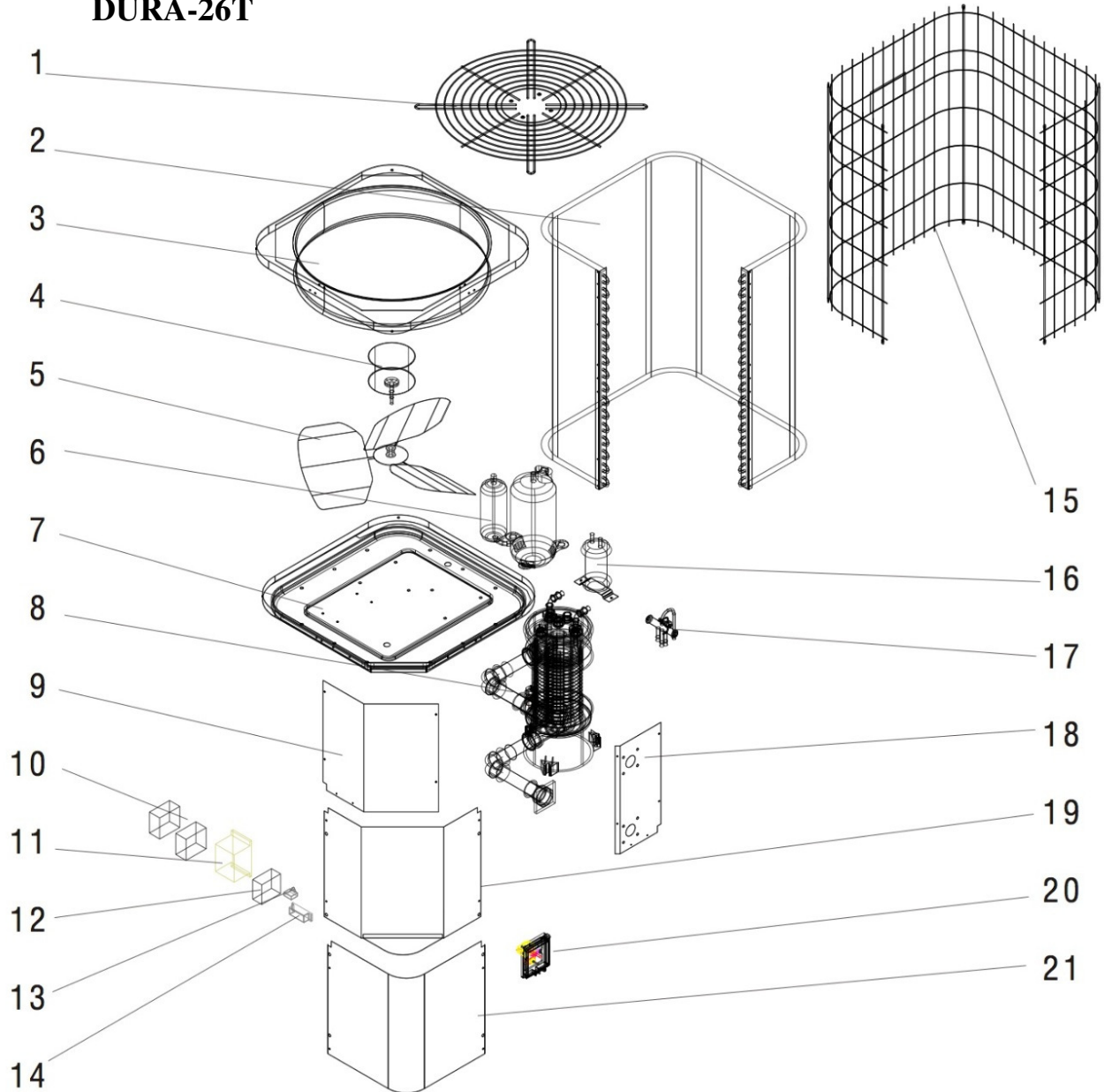
DURA-22T



Item	Code	Description	Rem.	Item	Code	Description	Rem.
1	DURA0038	Fan grid		12	DURA0050	3-phase protector	*
2	DURA0052	Evaporator	*	13	DURA0045	Fan capacitor	*
3	DURA0039	Top plate		14	DURA21T14	Mains connector	
4	DURA0040	Fan motor	*	15	DURA0046	Grid	
5	DURA0041	Fan	*	16	DUTA21T16	Fluid accumulator	
6	DURA21T06	Compressor	*	17			
7	DURA0042	Base panel		18	DURA0047	Front panel 2	
8	DURA0043	Heat exchanger	*	19	DURA0048	Divider panel	
9	DURA0044	Front panel 1		20	DURA0002	LED display	*
10	DURA0037	A/C relays	*	21	DURA0049	Cover panel	
11	DURA0001	Digital controller	*				

Remark: items marked “*” are available as spare part.

DURA-26T



Item	Code	Description	Rem.	Item	Code	Description	Rem.
1	DURA0038	Fan grid		12	DURA0050	3-phase protector	*
2	DURA25T02	Evaporator	*	13	DURA0045	Fan capacitor	*
3	DURA0039	Top plate		14	DURA25T14	Mains connector	
4	DURA0040	Fan motor	*	15	DURA0046	Grid	
5	DURA0041	Fan	*	16	DURA25T16	Fluid accumulator	
6	DURA25T06	Compressor	*	17			
7	DURA0042	Base panel		18	DURA0047	Front panel 2	
8	DURA25T08	Heat exchanger	*	19	DURA0048	Divider panel	
9	DURA0044	Front panel 1		20	DURA0002	LED display	*
10	DURA0037	A/C relays	*	21	DURA0049	Cover panel	
11	DURA0001	Digital controller	*				

Remark: items marked “*” are available as spare part.